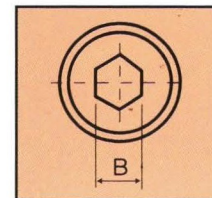
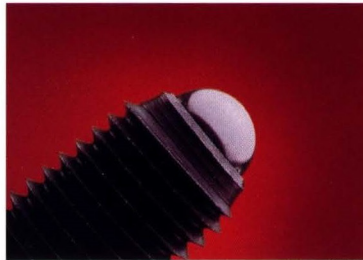
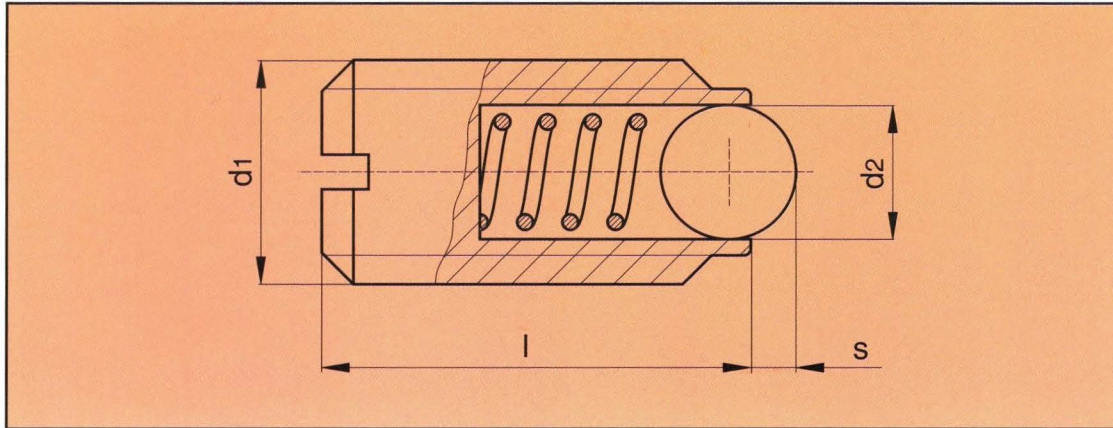


پیچ های ساچمه دار
Spring Plungers



(آلن خور نیز موجود است.)

Material
Steel class 5.8

Ball
Hardened and
polished stainless steel

Surface Treatment
Black oxidation

Code	d_1	l	s	d_2	Weight	Initial Force	Final Force
		mm	mm	mm	g	N	N
SSP M 4	M4	9	0.8	2.5	0.5	6	12
SSP M 5	M5	12	0.9	3.0	0.8	7	13
SSP M 6	M6	14	1.0	3.5	1.7	9	15
SSP M 8	M8	16	1.5	5.0	3.5	20	35
SSP M 10	M10	19	2.0	6.0	6.0	25	45
SSP M 12	M12	22	2.5	8.0	10.0	35	60
SSP M 16	M16	24	3.5	10.0	22.5	65	110